

MODEL	VOLTS	HZ	*WATTS	AMPS	RPM	*CFM	*dBA	MAX HEIGHT	COVERAGE AREA
F-18R	115V	50/60	23	.35	1500	630	53	30 ft.	1,200 ft <sup>2</sup>

\*Wattage results were tested @ 1500RPM.

\*CFM was supplied from ECM manufacturer.

\*Sound level pressure was recorded at 10 ft.

### Destratification Description

The Air-Row F-18R (Round) is a patented axial destratification fan for open ceilings. This fan is designed to eliminate stratified air layers from ceiling to floor and help deliver 30% energy savings.

### Motor Specifications

- 92% efficient ECM (Electronically Commutated Motor)
- Built-in thermal overload protector "TOP"
- Soft start feature
- Dual customizable speed levels for decibel sensitivity and air performance
- Ultra-reliable PA plastic fan blade material
- Degree of protection – IP55
- Approval – UL 1004-3 / CSA C22.2 N0. 77/ & VDE

### Housing

- High quality .040 Kynar aluminum (Fan weight – 5 lbs.)
- Unique round design for building aesthetics
- Cross-shaped vanes for proper air distribution
- Open concept design for field serviceability
- 100% recyclable and environmentally friendly

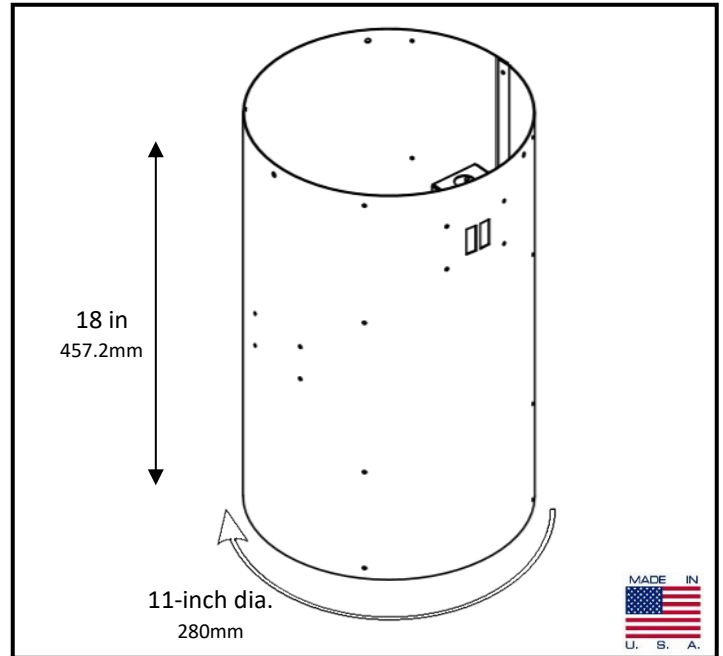
### Certifications

- Conforms to UL-507 for safety and electric fans
- ETL listed in USA and Canada
- Intertek 4004010
- U.S. Patented Product

### Color Options

- Polar White (standard)
- Black (secondary)

*\*All products can be professionally matched to any specific color by a process called powder coating.*



### Warranty

- Full 3-year parts and workmanship warranty included from date of purchase

### Features and Accessories

*(Additional costs may apply for the following)*

- AR-Adapter for BMS Connectivity via 0-10VDC
- AR-Switch (Wall Control) dual function fan controller
- AR-POT (Wall Potentiometer) for 0-10VDC control
- Cord & Plug (115V 3-prong *black* or *white* UL listed)
- Blade Guard for specific balloon or ball control
- Tilt Bracket with multiple angle options. Can be mounted on ceilings or walls for specific air targeting
- Hanging Kits – Two 5' safety cables with easy push button mechanisms by Gripple®. Each cable is UL certified with a 33lb weight restriction and a 5:1 safety factor rating