

FAN MODEL	LA-248
SIZE	24" x 24" x 9"
WEIGHT	10.9 lbs.
dB(A) LEVEL	*59
MAX HEIGHT	30 ft.
CFM	*705
COVERAGE AREA	1,200 ft <sup>2</sup>
RPM	1500/1300/900
VOLTS	110/120
HZ	50/60
WATTS	29/22/9
AMPS	0.42

\*Sound level pressure was recorded at 10 ft.

\*CFM was supplied from manufacturer.

**Destratification Description –**

The Air-Row LA-248 is a patented destratification fan for grid (suspended) ceilings. This fan is designed to eliminate stratified air layers from ceiling to floor and help deliver up to 30% energy savings.

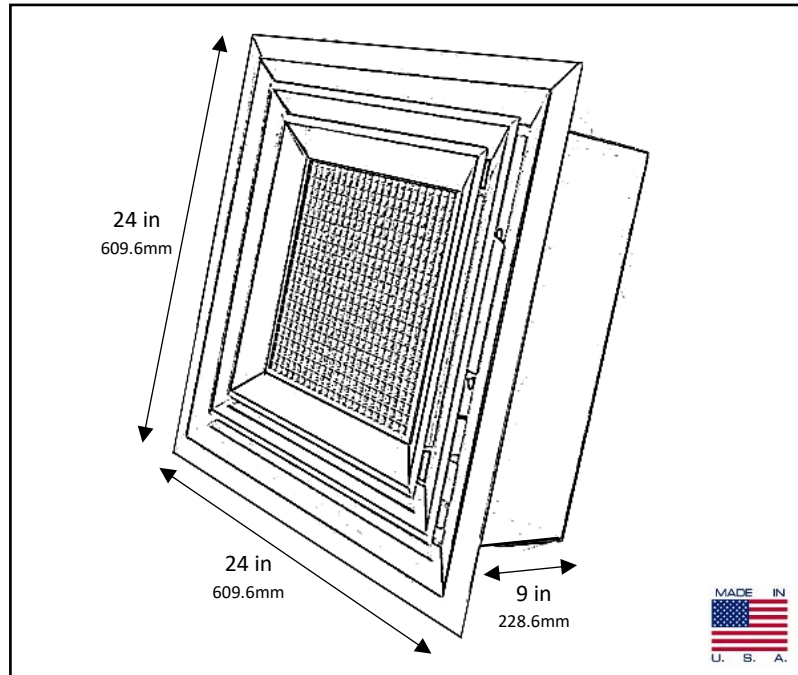
**Motor Specifications -** High-efficient EC (Electronically Commentated) motor. Built-in thermal overload protector (TOP). Customizable speed levels for decibel sensitivity and air performance. Custom tri-blade pitch. Degree of protection – IP55. Approval – UL, CUL, & CE.

**Custom Housing -** High quality .040 Kynar aluminum. Unique patented design with removeable diffuser insert for easy access. Flush mountable for standard 2x2 grid tile systems. Unit is entirely self-contained with zero extra components needed. Housing unit is 100% recyclable and environmentally friendly.

**Color Options -** Polar White is standard. Other options are limitless. All products can be professionally matched to any specific color by a process called powder coating.

**Certifications -** Conforms to UL-507 for safety and electric fans. ETL listed in USA and Canada. Intertek 4004010. U.S. Patented Product.

**Warranty -** Full 3-year parts and workmanship warranty included from date of purchase.



**Features and Accessories:**

*(Additional costs apply for the following)*

The LA-248 can tie into BMS (BAS) by 0-10VDC wiring with an additional custom low voltage relay system.

Black or White UL listed 110V cord and plug. *(No 220V option).*

XSSC (Wall Control) 15-amp dual function fan controller for on/off and high/low speed capabilities.

Seismic Restraint Cables – Two 5’ safety cables with easy push button mechanisms by Gripple. Each cable is UL certified with a 33lb weight restriction and a 5:1 safety factor rating.

*The LA-248 (Lay-In) model is a destratification fan with advanced air movement and superior product design. The effective air intake uses the dual-slotted openings surrounding the unit for a quick air-in to air-out performance, while distributing an engineered-approved air column from the center point of the diffuser.*