

FAN MODEL	F-18 ROUND
SIZE	11" (dia.) x 18"
WEIGHT	5.1 lbs.
dba LEVEL	*53
MAX HEIGHT	30 ft.
CFM	*630
COVERAGE AREA	1,200 ft ²
RPM	1500/1000
VOLTS	110/120
HZ	50/60
WATTS	23/7
AMPS	0.35

*Sound level pressure was recorded at 10 ft.

*CFM was supplied from ECM manufacturer.

Destratification Description –

The Air-Row F-18R is a patented axial destratification fan for open ceilings. This fan is designed to eliminate stratified air layers from ceiling to floor and help deliver up to 30% energy savings for commercial buildings.

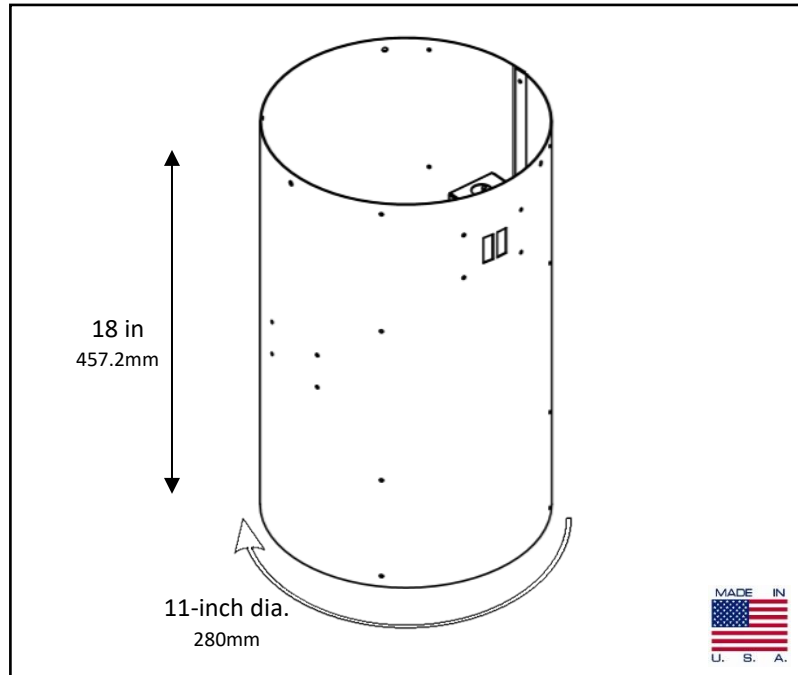
Motor Specifications - 92% efficient EC (Electronically Commentated) motor. Built-in thermal overload protector (TOP). Dual customizable speed levels with standard soft start feature. Ultra-reliable PA plastic fan blade material. Degree of protection – IP55. Approval UL 1004-3 / CSA C22.2 No. 77 / VDE.

Custom Housing - High quality .040 Kynar aluminum. Durable and light weight (3.0 lbs. without ECM mounted). Unique round design with cross-shaped Veins for proper air distribution. Housing unit is 100% recyclable and environmentally friendly.

Color Options - Polar White is standard. Other options are limitless. All products can be professionally matched to any specific color by a process called powder coating.

Certifications - Conforms to UL-507 for safety and electric fans. ETL listed in USA and Canada. Intertek 4004010. U.S. Patented Product.

Warranty - Full 3-year parts and workmanship warranty included from date of purchase.



Features and Accessories:

(Additional costs apply for the following)

The F-18R can tie into BMS (BAS) by 0-10VDC wiring with an additional custom low voltage relay system.

Black or White UL listed 110V cord and plug. *(No 220V option).*

XSSC (Wall Control) 15-amp dual function fan controller for on/off and high/low speed capabilities.

Hanging Kits – Two 5’ safety cables with easy push button mechanisms by Gripple. Each cable is UL certified with a 33lb weight restriction and a 5:1 safety factor rating.

Blade Guard – Heavy duty plated steel powder coated black for balloon or ball control.

Tilt Bracket - .060 steel powder coated black. Multiple angle options with easy knob function. Can be mounted on ceilings or walls for specific air targeting.