

| | |
|---------------|-----------------------|
| FAN MODEL | DA-248 |
| SIZE | 24" x 24" x 9" |
| WEIGHT | 10.9 lbs. |
| dba LEVEL | *59 |
| MAX HEIGHT | 30 ft. |
| CFM | *705 |
| COVERAGE AREA | 1,200 ft ² |
| RPM | 1500/1300/900 |
| VOLTS | 110/120 |
| HZ | 50/60 |
| WATTS | *29/22/9 |
| AMPS | 0.42 |

*Sound level pressure was recorded at 10 ft.
*CFM was supplied from manufacturer.
*Watts vary w/ airflow efficiency in ductwork

Destratification Description –

The Air-Row DA-248 is a patented destratification fan for grid (suspended) ceilings. This fan is designed to connect to HVAC systems through commercial ductwork, while eliminating stratified air layers and helping deliver up to 30% energy savings.

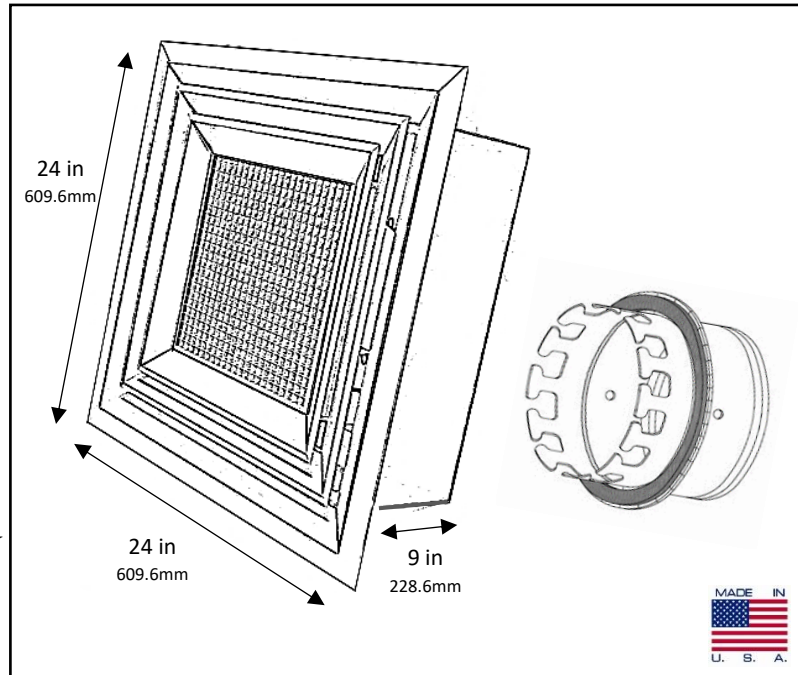
Motor Specifications - High-efficient EC (Electronically Commentated) motor. Built- in thermal overload protector (TOP). Customizable speed levels for decibel sensitivity and air performance. Custom tri-blade pitch. Degree of protection – IP55. Approval – UL, CUL, & CE.

Custom Housing - High quality .040 Kynar aluminum. Unique patented design with removeable diffuser insert for easy access. Flush mountable for standard 2x2 grid tile systems. Unit is entirely self-contained with zero extra components needed. Housing unit is 100% recyclable and environmentally friendly.

Color Options - Polar White is standard. Other options are limitless. All products can be professionally matched to any specific color by a process called powder coating.

Certifications - Conforms to UL-507 for safety and electric fans. ETL listed in USA and Canada. Intertek 4004010. U.S. Patented Product.

Warranty - Full 3-year parts and workmanship warranty included from date of purchase.



Features and Accessories:

(Additional costs apply for the following)

The DA-248 can tie into BMS (BAS) by 0-10VDC wiring with an additional custom low voltage relay system.

Black or White UL listed 110V cord and plug. *(No 220V option).*

XSSC (Wall Control) 15-amp dual function fan controller for on/off and high/low speed capabilities.

Seismic Restraint Cables – Two 5’ safety cables with easy push button mechanisms by Gripple. Each cable is UL certified with a 33lb weight restriction and a 5:1 safety factor rating.

The DA-248 model is a destratification fan with advanced air movement and superior product design. The DA (Direct Air) provides a solution to buildings that struggle with starving long runs or suffer from air distribution in specific areas. This unit not only de-stratifies, but also helps as an HVAC air booster with quality performance and state-of-the-art efficiency.